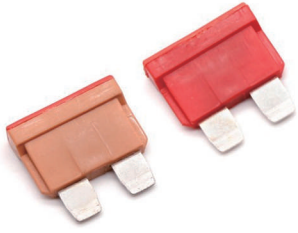
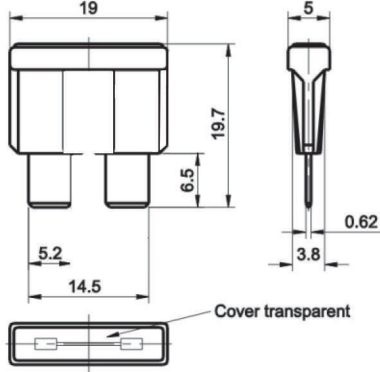


汽车保险丝 (中号)

Auto fuse 80v



尺寸 Dimensions (mm)



尺寸单位: mm, 误差 ± 0.2mm

规格

分断力: 1000A@80VDC
 额定电压: 80VDC
 工作温度范围: -40°C~125°C
 端子: 铜镀锡
 外壳材质: 尼龙
 符合: SAE J2077
 ISO 8820
 UL 248专用熔断器

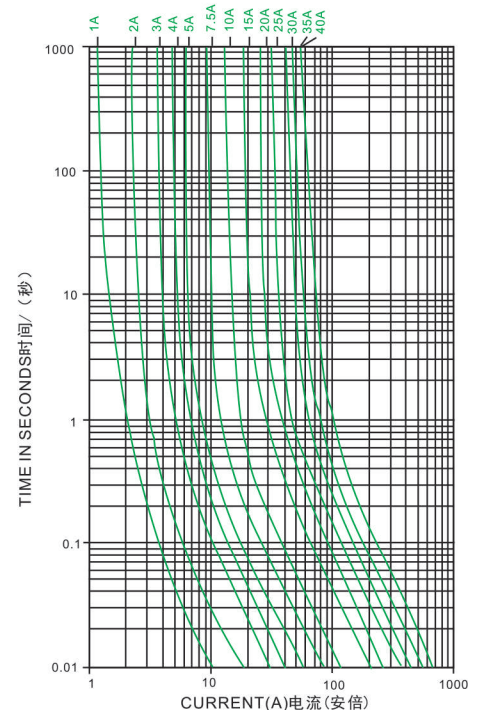
Specifications

Breaking force: 1000A@80VDC
 Voltage Rating: 80VDC
 Operating Temp Range: -40°C ~ 125°C
 Terminals: Copper tin plating
 Housing Material: Nylon
 Standards compliant: SAE J2077
 ISO 8820
 UL248 Special Purpose Fuses

目录编号 Catalog No.	额定电流 Ampere Rating	额定电压 Voltage Rating	Cold Resis tance(冷电阻 ± 10%)	颜色表示 Color Marking
Part Number	Current Rating	Voltage DC	Cold Resistance	Housing Color
ATC-NL5-01	1A	80V	60.88mΩ	黑色 Black
ATC-NL5-02	2A	80V	33.60mΩ	灰色 Gray
ATC-NL5-03	3A	80V	23.75mΩ	紫色 Purple
ATC-NL5-05	5A	80V	17.75mΩ	橘黄色 Tan
ATC-NL5-7.5	7.5A	80V	10.58mΩ	褐色 Brown
ATC-NL5-10	10A	80V	7.82mΩ	红色 Red
ATC-NL5-15	15A	80V	4.58mΩ	蓝色 Blue
ATC-NL5-20	20A	80V	3.21mΩ	黄色 Yellow
ATC-NL5-25	25A	80V	2.36mΩ	自然色 Natural
ATC-NL5-30	30A	80V	1.58mΩ	绿色 Green
ATC-NL5-35	35A	80V	1.5mΩ	淡绿色 Light green
ATC-NL5-40	40A	80V	1.35mΩ	橙色 Orange

注: 冷电阻为参考值

时间-电流特性曲线 Time-Current Characteristic Curves



产品认证:

Product certification:



Time-Current Characteristics: 电流时间特征

%of Rating 额定电流	Opening Time/熔断时间	
	MINI	MAX
110	4H	/
135	0.75s	10minutes
200	0.15s	5s
350	0.080s	0.250s
600	0.030s	0.100s